



**WATER+FLOW  
SYSTEMS  
ULTRASONIC  
WATER METER**



## FEATURES



- With Rectifier Function, Low Installation Requirement of Straight Pipe
- Wide Range
- Suitable For Mass Flow And Tiny Flow Measurement
- The Integrated Design Of Flow, Pressure, Wireless Reading Meets Monitoring Pipeline Requirement
- Configured With Remote Data Collector, Remotely Connect To Smart Metering Platform
- IP68 Protection Class, To Ensure Long Term Underwater Working
- Low Consumption Design, Double D Size Batteries Can Continuously Work For 10 Years
- Bi-directional Measuring Forward And Reverse Flow
- Data Storage Function Can Save 10 Years' Data Including Day, Month And Year
- 9 Digits Multi-line LCD Display. Can Display Cumulative Flow, Instantaneous Flow, Flow, Pressure, Temperature, Error Alarm, Flow Direction etc. At The Same Time.
- Standard RS485(Modbus) And OCT Pulse, A Variety Of Options, NB-IOT, GPRS etc.
- Stainless Steel 304 Pipe Which Is Tensile Molding Patent, Electrophoresis With Anti-scaling
- According To Sanitary Standard For Drinking Water
- With Life Cycle Management Function, To Check Detailed Information At Any Time
- Pipe Length Can Be Customized As Customers' Requirements.

## TECHNICAL SPECIFICATIONS

Max. Working Pressure	1.6Mpa(DN50-DN150), 1.0Mpa(DN200-DN300)
Temperature Class	T30, T50, T70, T90 (Default T30)
Accuracy Class	ISO 4064, Accuracy Class 2
Body Material	Stainless Steel 304 (opt. SS316L )
Battery Life	10 Years(Consumption≤0.3mW)
Protection Class	IP68
Environmental Temperature	-40°C~+70°C, ≤100%RH
Pressure Loss	ΔP10, ΔP16 (Based on different dynamic flow)
Climatic And Mechanical Environment	Class O
Electromagnetic Class	E2
Communication	RS485(baud rate is adjustable); Pulse, Opt. NB-IoT, GPRS
Display	9 digits multi-line LCD display. Can display cumulative flow, instantaneous flow, flow rate, pressure, temperature, error alarm, flow direction etc. at the same time
RS485 Connection	Default baud rate 9600bps (opt. 2400bps, 4800bps), Modbus-RTU
Flow Profile Sensitivity Class	Flanges according to EN1092-1 (others customized)
Data Storage	A: Full Bore (U5/D3) B: 20% Reduced Bore (U3/D0)
Frequency	C: Reduced Bore (U0/D0)
	Store the data, including day, month, and year for 10 years. The data can be permanently saved even powered off
	1-4 times/second

## FLOW SPECIFICATIONS

· Type B 20% Reduced Bore / Type A (A2/A4) Full Bore, Measuring Range R250

Model		PWM								
Nominal Size	(mm)	50	65	80	100	125	150	200	250	300
	(inch)	2	2.5	3	4	5	6	8	10	12
Overload Flow Q4 (m <sup>3</sup> /h)		78.75	125	200	312.5	312.5	500	787.5	1250	2000
Permanent Flow Q3 (m <sup>3</sup> /h)		63	100	160	250	250	400	630	1000	1600
Transitional Flow Q2 (m <sup>3</sup> /h)		0.403	0.640	1.024	1.600	1.600	2.560	4.032	6.400	10.240
Minimum Flow Q1 (m <sup>3</sup> /h)		0.252	0.400	0.640	1.000	1.000	1.600	2.520	4.000	6.400
R=Q3/Q1		250								
Q2/Q1		1.6								

· Type B 20% Reduced Bore / Type A (A2/A4) Full Bore, Measuring Range R500

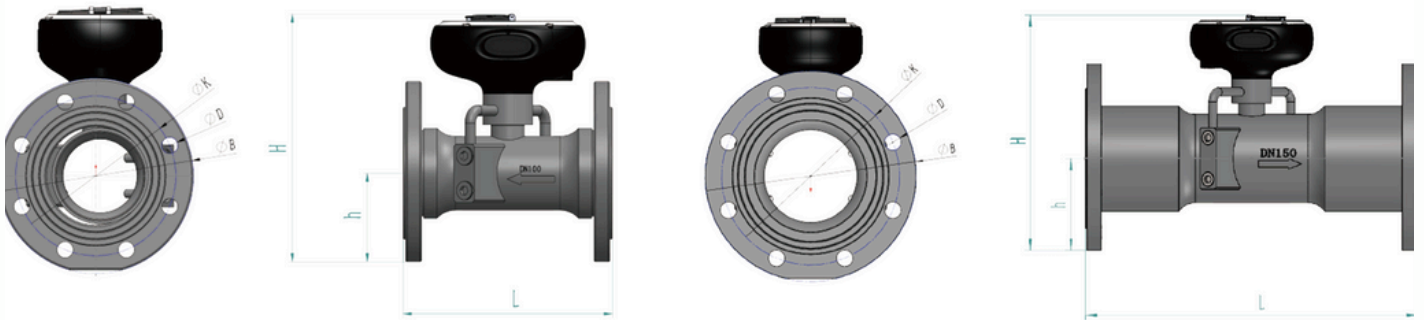
Model		PWM								
Nominal Size	(mm)	50	65	80	100	125	150	200	250	300
	(inch)	2	2.5	3	4	5	6	8	10	12
Overload Flow Q4 (m <sup>3</sup> /h)		78.75	125	200	312.5	312.5	500	787.5	1250	2000
Permanent Flow Q3 (m <sup>3</sup> /h)		63	100	160	250	250	400	630	1000	1600
Transitional Flow Q2 (m <sup>3</sup> /h)		0.202	0.320	0.512	0.800	0.800	1.280	2.016	3.200	5.120
Minimum Flow Q1 (m <sup>3</sup> /h)		0.125	0.200	0.320	0.500	0.500	0.800	1.260	2.000	3.200
R=Q3/Q1		500								
Q2/Q1		1.6								

· Type B 20% Reduced Bore, Measuring Range R1000

Model		PWM								
Nominal Size	(mm)	50	65	80	100	125	150	200	250	300
	(inch)	2	2.5	3	4	5	6	8	10	12
Overload Flow Q4 (m <sup>3</sup> /h)		78.75	125	200	312.5	312.5	500	787.5	1250	2000
Permanent Flow Q3 (m <sup>3</sup> /h)		63	100	160	250	250	400	630	1000	1600
Transitional Flow Q2 (m <sup>3</sup> /h)		0.101	0.160	0.256	0.400	0.400	0.640	1.008	1.600	2.560
Minimum Flow Q1 (m <sup>3</sup> /h)		0.063	0.100	0.160	0.250	0.250	0.400	0.630	1.000	1.600
R=Q3/Q1		1000								
Q2/Q1		1.6								



## DIMENSIONS AND WEIGHT



Model		PWM								
Nominal Size	(mm)	50	65	80	100	125	150	200	250	300
	(inch)	2	2.5	3	4	5	6	8	10	12
L-Standard length (mm)		200	200	225	250	250	300	350	450	500
L-Custom length (mm)		280	/	370	370	/	500	500	/	/
B-Width (mm)		162	185	200	220	255	285	340	406	489
H-Height (mm)		258	277	293	307	334	364	409	458	512
h-Height (mm)		74	89	96	106	120	138	169	189	216
D×n		18×4	18×4	18×8	18×8	18×8	22×8	22×8	22×12	22×12
K (mm)		125	145	160	180	210	240	295	350	400
Pressure(MPa)		1.6	1.6	1.6	1.6	1.6	1.6	1.0	1.0	1.0
Weight (kg)		9	11.5	13	15	17	32	45	68	96

## CONTACT US:

✉ MAIL: [ventasmonterrey@watermasflow.com](mailto:ventasmonterrey@watermasflow.com)

☎ WHATSAPP: +52 1 818 463 1725

